



Explosion-proof surface-mounted thermostat Jumo exTHERM-AT


Suitable for our CSN® Ex-space heater type 700Exde Wherever an exact temperature is required, and biotechnology and gas regulator stations.

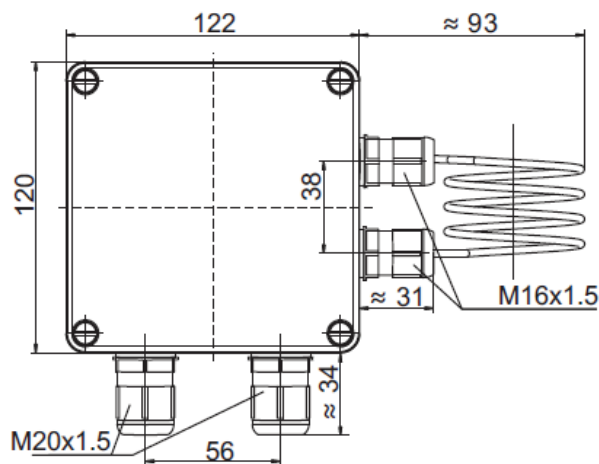
Typical fields of application

- machinery and plant engineering,
- chemical industry,
- food technology,
- pharmaceuticals
- biotechnology and
- gas regulator stations
- sewage treatment plants
- colour storage rooms

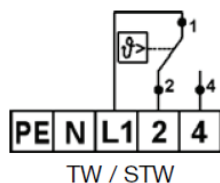


Technical data:

adjustment ranges: -20 °C to +40 °C 
admissible ambient temperatures: -40 °C to +40 °C (T6)
switching capacity: 16 A, 230 V AC
protection mode: IP 65
housing protection: EN 60 529 - IP 65



Wiring diagram



Approvals



Further information regarding our explosion proof type ovens can also be found under the product group Explosionproof radiator type oven.

Special contact person:

Janina Schulte

Phone: +49 2392 - 692 - 37

Fax: +49 2392 - 692 - 8937

eMail: janina.schulte@schniewindt.de

Michaele Spelsberg

Phone: +49 2392 - 692 - 39

Fax: +49 2392 - 692 - 8939

eMail: michaele.spelsberg@schniewindt.de