



## CSN® SCREW-IN HEATER FOR OIL WARMING WITH STAINLESS STEEL CASING

Material 1.4404, brass screw-in nipple S.P. thread 1½" with thermostat 0–85°C 1 pol. or 30–110°C 1 pol.

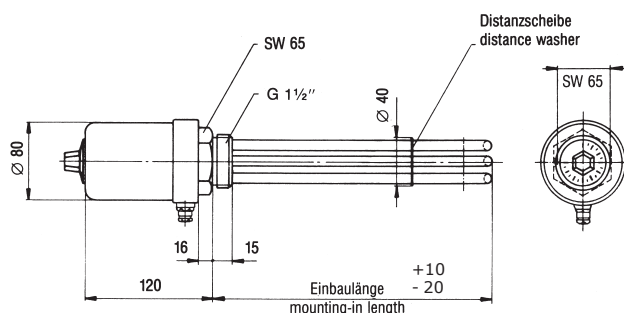
### Application:

Main application range direct calefaction of oil

### Surface load with resting oil:

viscous oil: 0.8–1.5 W/cm<sup>2</sup>  
thin-bodied oil, light fats: 1.5–2.5 W/cm<sup>2</sup>  
thermal oils: 1,5–3.0 W/cm<sup>2</sup>

In the individual case of special oils the permissible surface load has to be coordinated with the oil supplier.



with hood IP 54 type	mounting-in length 35 mm unheated	voltage volts	capacity watts	surface load W/cm <sup>2</sup>	weight kgs
ERCT / 20	200	230 ~	250	1,0	1,55
ERCT / 30	300	230 ~	400	1,0	1,75
ERCT / 40	400	230 ~	600	1,0	1,90
ERCT / 50	500	230 ~	750	1,0	2,05
ERCT / 60	600	400 3N~	900	1,0	2,25
ERCT / 80	700	400 3N~	1200	1,0	2,60
ERCT / 20	200	230 ~	500	2,0	1,55
ERCT / 30	300	230 ~	800	2,0	1,75
ERCT / 40	400	230 ~	1100	2,0	1,90
ERCT / 50	500	230 ~	1500	2,0	2,05
ERCT / 60	600	400 3N~	1800	2,0	2,25
ERCT / 80	800	400 3N~	2400	2,0	2,60
ERCT / 20	200	230 ~	750	3,0	1,55
ERCT / 30	300	400 3N~	1250	3,0	1,75
ERCT / 40	400	400 3N~	1750	3,0	1,90
ERCT / 50	500	400 3N~	2200	3,0	2,05
ERCT / 60	600	400 3N~	2700	3,0	2,25
ERCT / 80	800	400 3N~	3600	3,0	2,60

non-stock item

The heating elements on this side are basic types, showing the dependence of surface load, mounting length and rating. All figures can be changed to customers request.

### Specialist contact person:

#### Bernd Tigges

Phone: +49 2392 - 692 - 42  
Fax: +49 2392 - 692 - 8942  
eMail: bernd.tigges@schniewindt.de

#### Stephan Drüeke

Phone: +49 2392 - 692 - 43  
Fax: +49 2392 - 692 - 8943  
eMail: stephan.drueeke@schniewindt.de