



## CSN® AIR HEATER TYPE 830

Protection mode IP 54

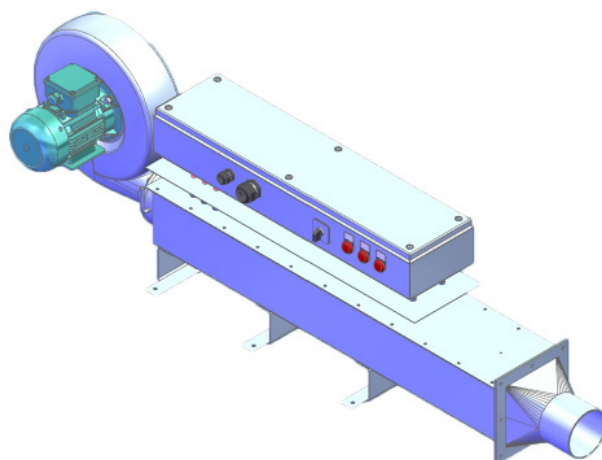
transportable

### Application:

E.g. spot heating of production processes, drying of pipes

Consisting of:

- a steel sheet duct with incorporated tubular heating elements,
- terminal box,
- thermostates,
- switch and a blower,
- suitable for connection to a pipe system
- with 5 m connection cable,
- time-delay relay
- CEE plug



Control:

1. step = cold, only the fan is switched-on
2. step = half capacity
3. step = full capacity

Air heater, type 830/.. are suitable for voltages up to 690 V 3 ph. If necessary, heater could be equipped with other blowers, e.g. high pressure blowers.

Type	Power kW	Dimensions in mm			Fan	stat. pressure / Pa
		A	B	C		
830/ 9	9,0	700	1070	560	600	1500
830/12	12,0	850	1220	560	600	1500
830/15	15,0	1005	1375	560	600	1500
830/18	18,0	1315	1690	600	840	1800

### Specialist contact person:

#### Peter Deja

Phone: +49 (2392) - 692 - 32  
Fax: +49 (2392) - 692 - 8932  
eMail: peter.deja@schniewindt.de

#### Julian Müller

Phone: +49 (2392) - 692 - 747  
Fax: +49 (2392) - 692 - 89747  
eMail: julian.mueller@schniewindt.de