



CSN® AIR HEATER TYPE 820

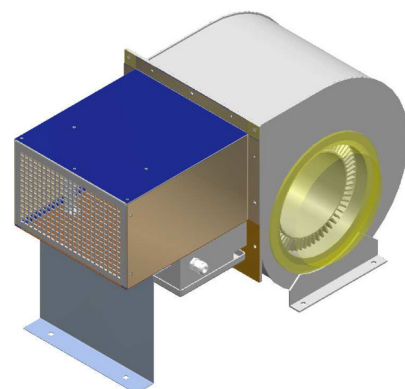
Application:

for heating of workshops, working places,
immediate heating of building lots.

For floor fastening

consisting of a silent low-pressure radial fan with projected sheet steel housing, accommodating the heater elements with overheating protection per each phase. In the terminal compartment there are bolted terminals for the control equipment, furnished by the user. The motors, stated in the schedule are rated for 230 V, A. C. and the heating elements for 400 VA. C., three-phase with neutral conductor.

Schutzart: IP 20



Type	Power kW	steps kW changeable	approx. housing dimensions in mm			air escape approx. mm	Qty. of heating elements	approx. air capacity free-blowing m³/h	approx. rpm	approx. air exit temperature at 2 m distance and 18°C ambient temperature
			length	width	height					
820/6	4	3 - 6 -	610	280	375	230 x 160	3	1500	1050	27
820/12	12	6 - 12 -								36
820/18	18	6 - 12 - 18								27
820/24	24	12 - 18 - 24								70
820/30	30	18 - 22 - 30	790	350	470	275 x 220	15	3950	1160	76
820/42	42	18 - 36 - 42								86
820/48	48	24 - 36 - 48								96

For a perfect control of our heaters we recommend our CSN® Standard Control System for Air Heaters 820/6-48 (* **)

consisting of:

- control cabinet
 - main switch
 - main fuse
 - control fuse
 - step switch
 - indication light
- * kW one-step without fuse
** up to 12 kW one- or two-steps without on-load fuse



for air heater type	steps	power steps kW	article no.	switchgear cabinet IP / dimensions K = plastics, M = metal, w x h x d
820/6	1	6 - -	200 0 0006 4 01 0 00 00 3 21	IP 65 / K/295 x 333 x 129
820/12	2	6 - 6 -	200 0 0012 4 02 0 00 00 3 21	IP 65 / K/403 x 603 x 129
820/18	3	6 - 6 - 6	200 0 0018 4 03 0 00 00 3 21	IP 65 / K/403 x 603 x 129
820/24	3	12 - 6 - 6	200 0 0024 4 04 0 00 00 3 21	IP 65 / K/403 x 603 x 129
820/30	3	12 - 12 - 6	200 0 0030 4 06 0 00 00 3 21	IP 65 / K/403 x 603 x 129
820/42	3	18 - 12 - 12	200 0 0042 4 05 1 00 00 2 21	IP 54 / M/600 x 600 x 210
820/48	3	18 - 18 - 12	200 0 0048 4 07 1 00 00 2 21	IP 54 / M/600 x 600 x 210

Specialist contact person:

Andreas Nottelmann

Phone: +49 (2392) - 692 - 35
Fax: +49 (2392) - 692 - 8935
eMail: andreas.nottelmann@schniewindt.de

Janina Schulte

Phone: +49 (2392) - 692 - 37
Fax: +49 (2392) - 692 - 8937
eMail: janina.schulte@schniewindt.de